

**From IC 705 ENG manual page 13-2**

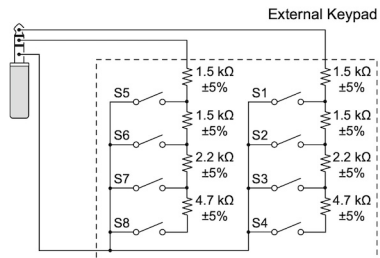
By connecting an external keypad to [KEY] with a circuit as shown below, you can send memory content from one of the 8 memories. You can send memory content from a CW Keyer Memory (M1 ~ M8), SSB/AM/FM/DV Voice Memory (T1 ~ T8), or RTTY Memory (RT1 ~ RT8) to be transmitted.

- Push a switch to send memory content.
- Hold down the switch for 1 second to repeatedly send memory content.

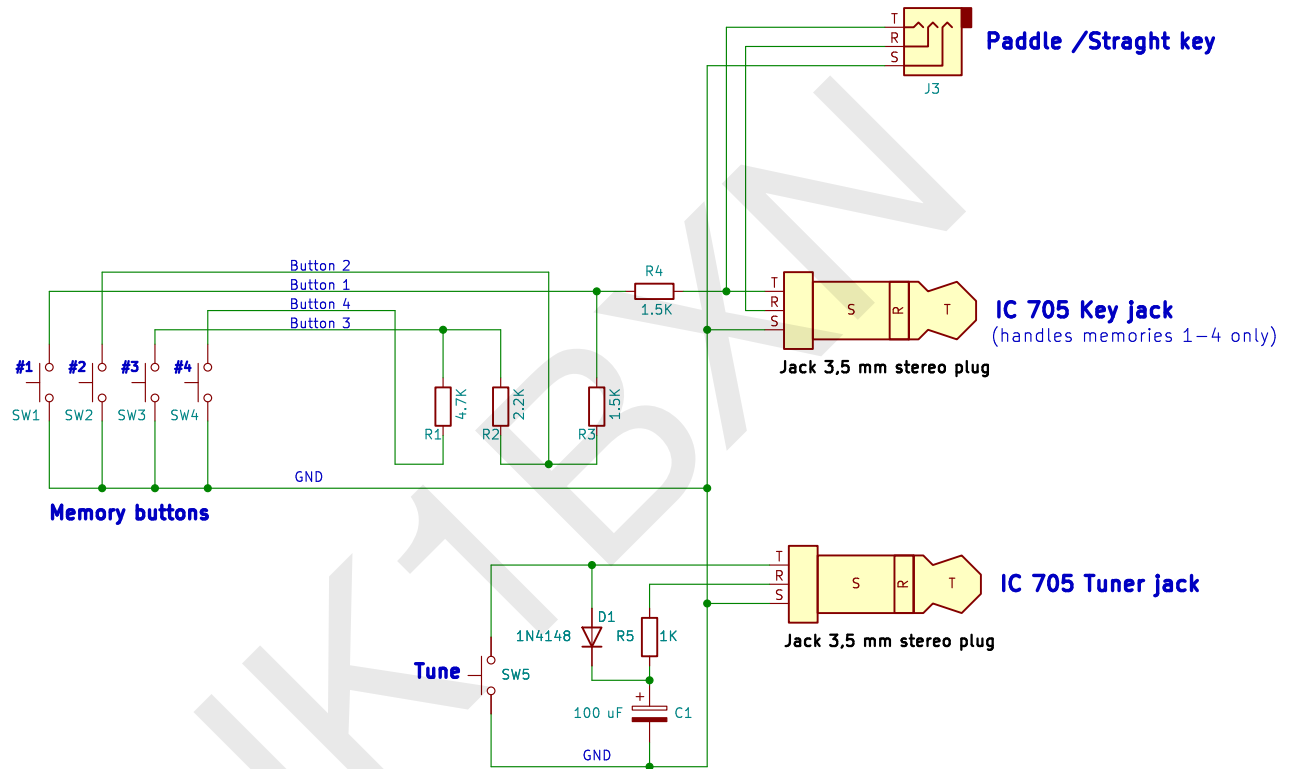
① To use the external keypad, turn ON the following item.

**MENU** » **SET** > **Connectors** > **External Keypad**

① The external keypad shown below is not supplied by Icom.



**TIP:** You can alternate between an external keypad and a Paddle key or Straight key, when connecting them in parallel.



(<https://sm7iun.se/station/ic705/>)

**IK1BXN**

Sheet: /

File: IC 705 Keypad and Tune button.kicad\_sch

**Title: IC 705 Keypad and Tune button**

Size: A4

Date: 2024-07-11

Rev: 00

KiCad E.D.A. kicad (7.0.0-0)

Id: 1/1